

# FLUSH MOUNT KIT (9.240.646 - White)

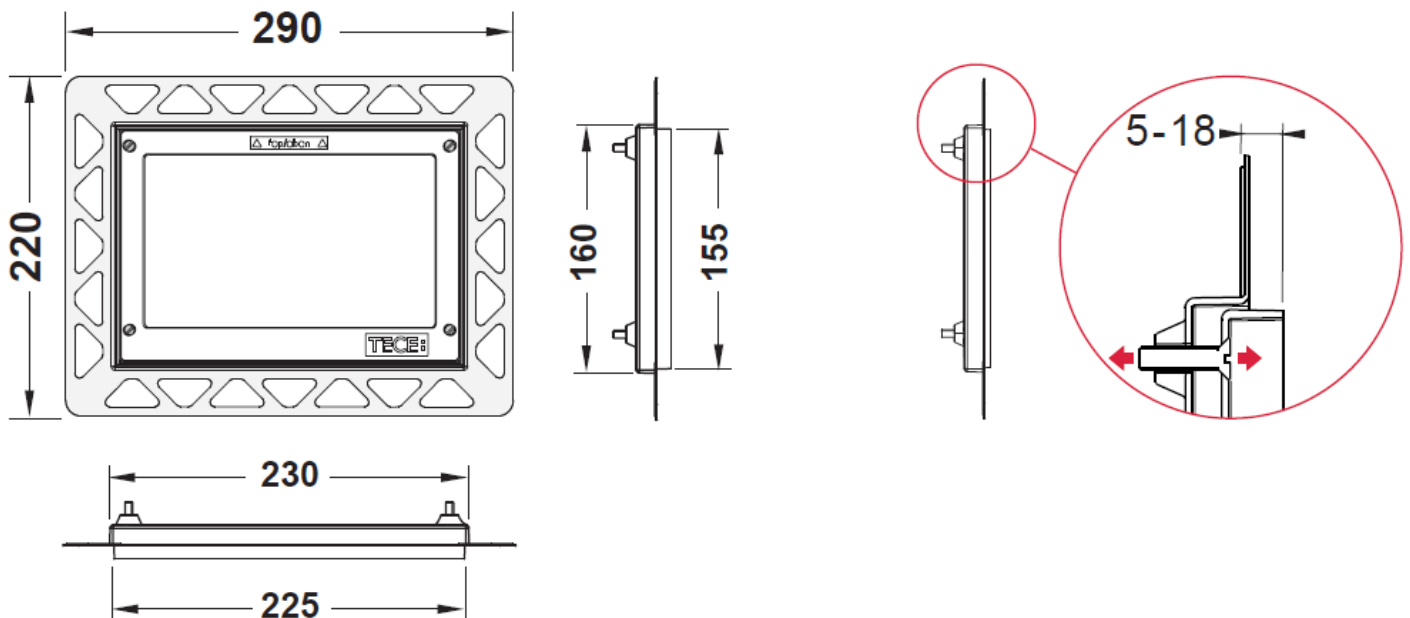
**TECE**  
close to you

Suitable for use with:  
All TECE Cisterns  
TECEloop Glass Push Plates  
TECESquare Glass Push Plates

Sheeting Requirements (Prior to tiling):  
25mm non flex board

Tile Adjustment depth:  
5 - 18mm

Note: Flush mount kit MUST be installed prior to tiling to achieve flush mount push plate



Proudly imported and distributed by  
Gro Agencies Pty Ltd  
Unit 2 / 37 Howe St, Osborne Park, WA, 6017  
P 08 9446 3288 E info@groagencies.com.au W www.groagencies.com.au

**gro**  
agencies